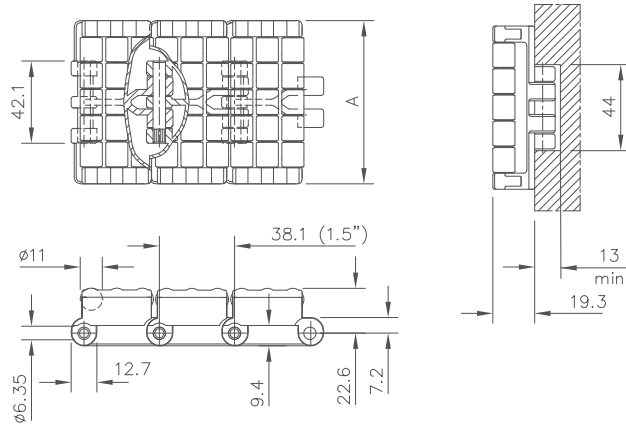
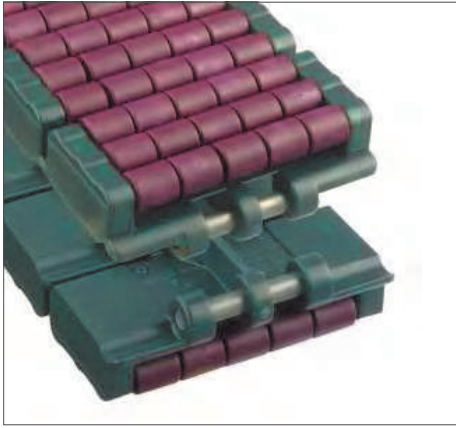


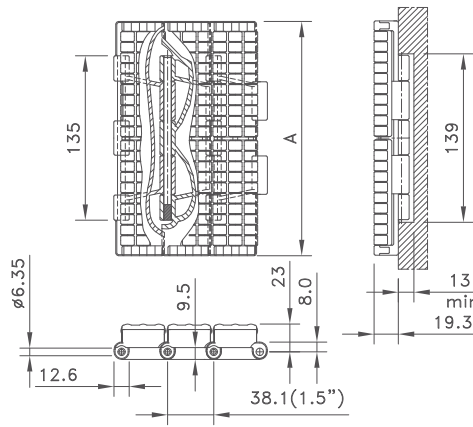
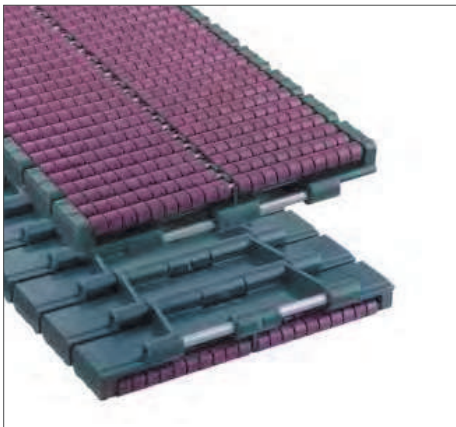
Straight Run Single Hinge LBP



Chain Type	Code Number	Plate Width A		Weight kg/m	Working Load (max.) N (21°C)	Backflex Radius (min) mm	Plate Thickness mm
		mm	inch				
XLA-Acetal							
SHD 325 LBP	752.85.09	82.5	3.25	2.20	1230	400	4.8

Standard length: 1.524 m - 5 feet (40 links)

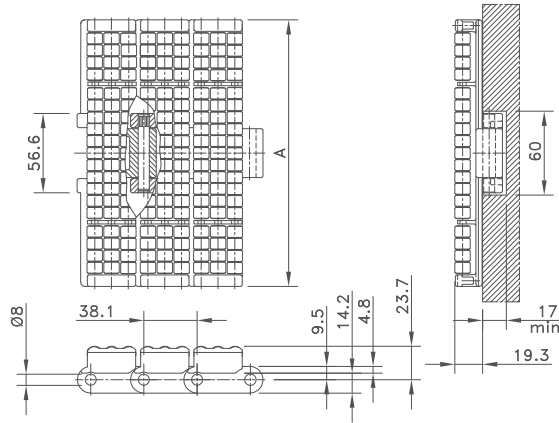
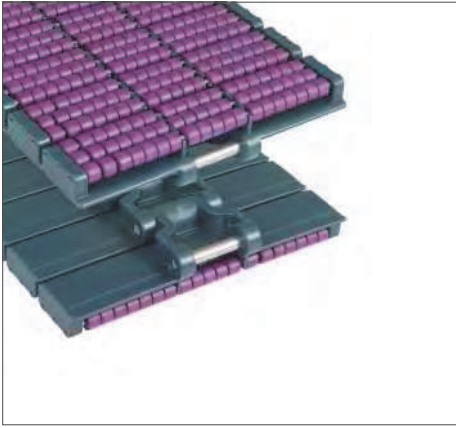
Straight Run Double Hinge LBP



Chain Type	Code Number	Plate Width A		Weight kg/m	Working Load (max.) N (21°C)	Backflex Radius (min) mm	Plate Thickness mm
		mm	inch				
XLA-Acetal							
SWH 750 LBP	752.82.09	190.5	7.50	5.30	2680	300	4.8
SWH 1000 LBP	752.82.11	254.0	10.00	6.60			
SWH 1200 LBP	752.82.10	304.8	12.00	7.85			

Standard length: 1.524 m - 5 feet (40 links)

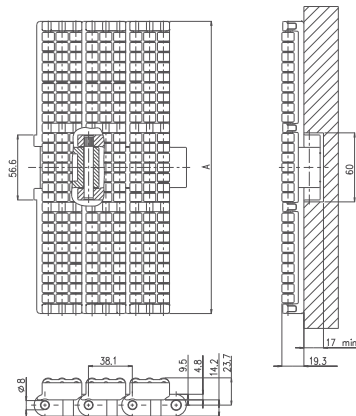
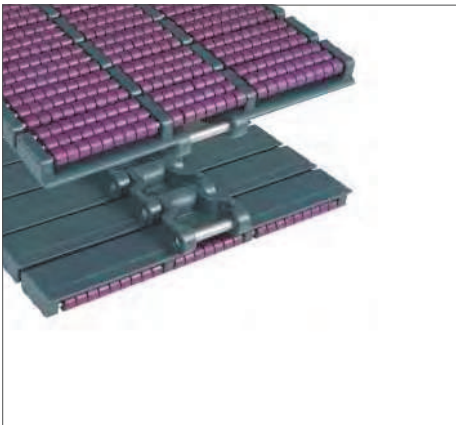
Straight Run Heavy Duty LBP



Chain Type	Code Number	Plate Width A		Weight kg/m	Working Load (max.) N (21°C)	Backflex Radius (min) mm	Plate Thickness mm
		mm	inch				
XLA-Acetal							
HDS 750 LBP	752.81.13	190.5	7.50	4.28	3830	200	4.8

Standard length: 1.524 m - 5 feet (40 links)

Straight Run Heavy Duty LBP



Chain Type	Code Number	Plate Width A		Weight kg/m	Working Load (max.) N (21°C)	Backflex Radius (min) mm	Plate Thickness mm
		mm	inch				
XLA-Acetal							
HDS 1000 LBP	752.81.19	254.0	10.00	5.23	3830	200	4.8
HDS 1200 LBP	752.81.20	304.8	12.00	5.83			

Standard length: 1.524 m – 5 feet (40 links)

*Ask customer service for minimum order quantity of sprockets with inch bores